



INDUSTRIES, INC.

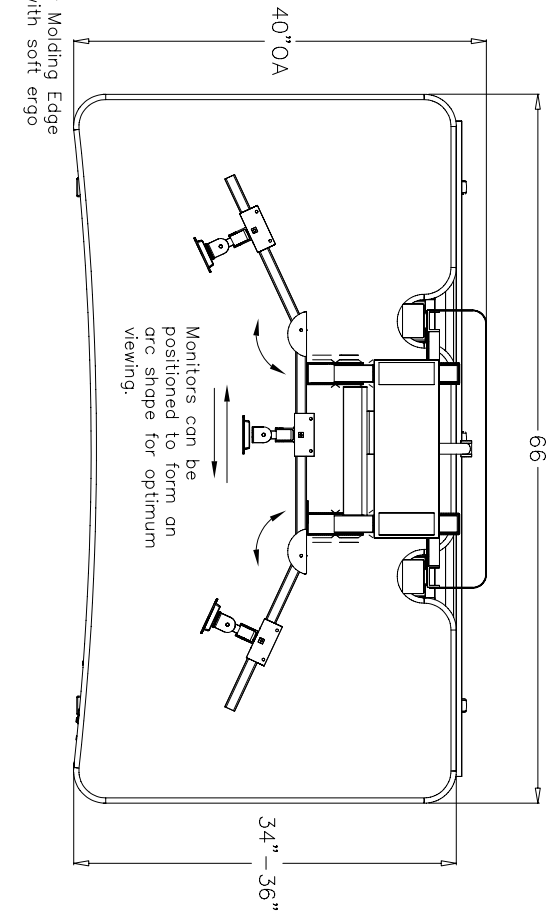
13-16 133 PLACE
COLLEGE POINT, NY 11356

TEL: (718) 747-0237
FAX: (718) 747-0726

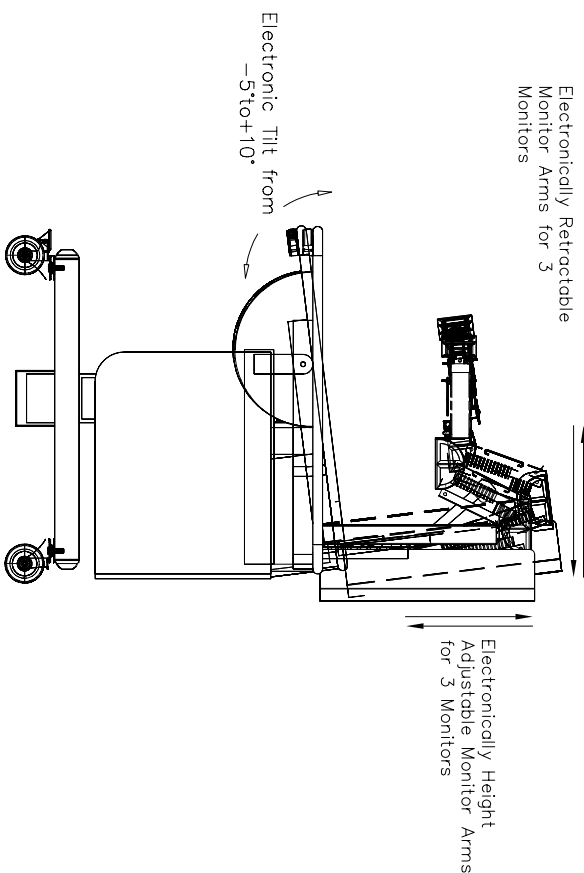
THE PLANS AND DRAWINGS CONTAINED HEREIN ARE PROPRIETARY AND MAY NOT BE COPIED OR REPRODUCED MECHANICALLY, ELECTRONICALLY OR BY ANY MEANS WITHOUT WRITTEN PERMISSION FROM AFC INDUSTRIES, INC.

AFC INDUSTRIES, INC.

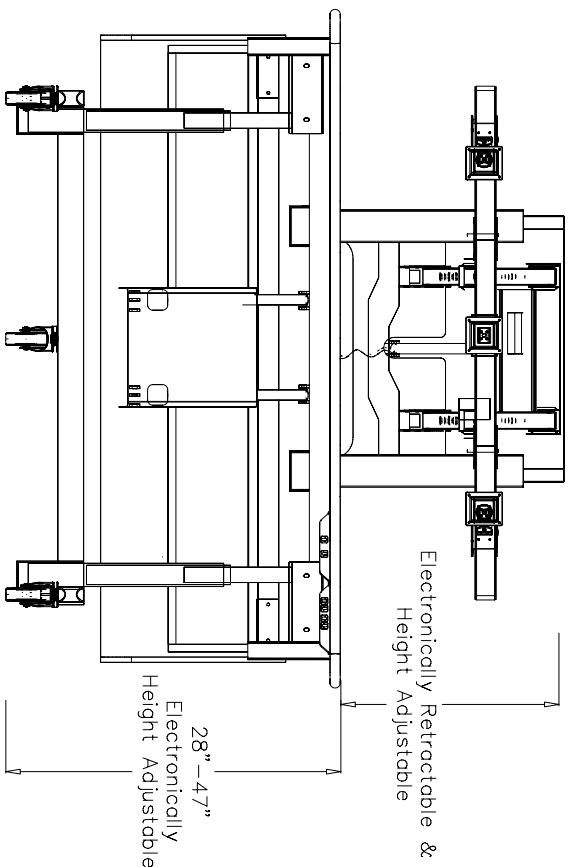
TOP VIEW



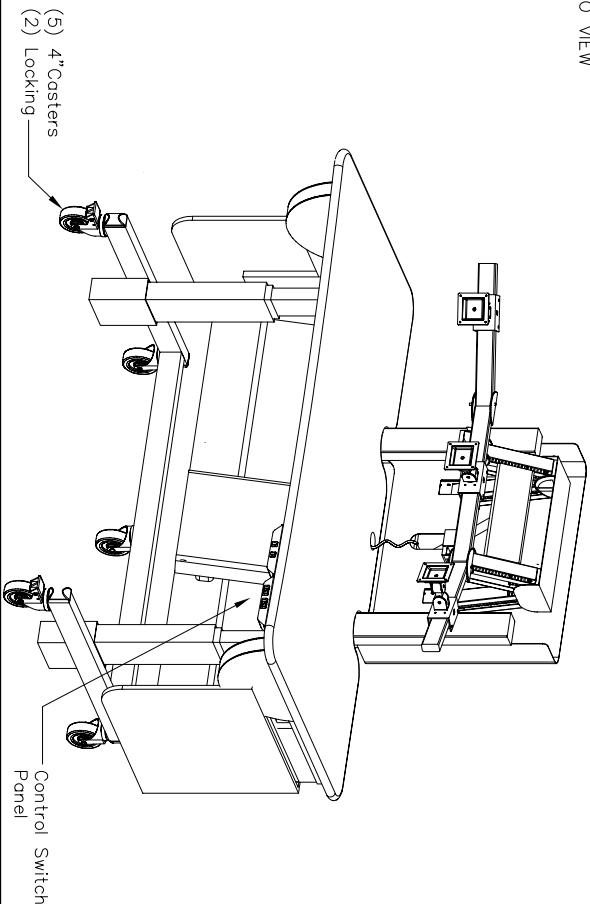
SIDE VIEW



FRONT VIEW



ISO VIEW



NOTES :

MATERIAL :
AS NOTED ABOVE

DRAWN BY : V.G.M

DATE: 11/17/05

DELUXE ERGOTER

TOLERANCES UNLESS OTHERWISE SPECIFIED

FRACTIONAL ±1/64
2 P.L.C., DEC. ±.001
3 P.L.C., DEC. ±.001
ANGULAR ±.5
FINISH $\frac{32}{\sqrt{}}$

ENG :

A P P R O V E D

USED ON :

MFG :
QA :
SCALE : N.T.S.

PATH : Maxflex\ET\DXET\
PDF NAME: DXET_6640_01

REV: SIZE
A